

**State of California
AIR RESOURCES BOARD**

EXECUTIVE ORDER RM-18-011A

Spark-Ignition Marine Watercraft Evaporative Emissions System Components

**SeaStar Solutions
Pressure Relief Valve**

WHEREAS, pursuant to California Health and Safety Code, sections 39600, 39601, and 43013, the California Air Resources Board (CARB) has established a certification process for evaporative emissions system components designed to control gasoline emissions from spark-ignition marine watercraft (SIMW), as described in California Code of Regulations, title 13, section 2856;

WHEREAS, pursuant to California Health and Safety Code, section 43013, CARB has established criteria and test procedures for determining the compliance of evaporative emissions system components with the design requirements in Cal. Code Regs., tit. 13, § 2855;

WHEREAS, pursuant to Cal. Code Regs., tit. 13, § 2856, CARB Executive Officer may issue an executive order (EO) if he or she determines that SIMW evaporative emissions system components conform to the applicable performance requirements set forth in Cal. Code Regs., tit. 13, § 2855; and

WHEREAS, pursuant to California Health and Safety Code, sections 39515 and 39516, CARB Executive Officer issued EO G-17-006 delegating to the Chief of CARB Monitoring and Laboratory Division (MLD) the authority to certify SIMW evaporative system components.

NOW, THEREFORE, I, Catherine Dunwoody, Chief of MLD, find that the SeaStar Solutions pressure relief valve models, BLUPMDRNAD5, as listed in Table 1, conform with performance requirements set forth in Cal. Code Regs., tit. 13, § 2855, when tested pursuant to test procedure TP-1505a.

IT IS ORDERED AND RESOLVED that the SeaStar Solutions pressure relief valve models listed in Table 1 are certified for use in SIMW introduced into commerce in California.

Table 1

Models and Specifications for SeaStar Solutions Pressure Relief Valves	
Component Type Model Number	Certified Control%*
BLUPMDRNAD5 See Figures 1-3 for drawings of certified components	>65%

*Per TP-1505a, meets minimum required control of 65%

IT IS FURTHER ORDERED that SeaStar Solutions shall provide a warranty to watercraft manufacturers purchasing any of the SeaStar Solutions pressure relief valve models listed in Table 1. The warranty must conform to the requirements of Cal. Code Regs., tit. 13, § 2861.

IT IS FURTHER ORDERED that the certified SeaStar Solutions pressure relief valve models listed in Table 1 shall be installed in accordance with the manufacturer's installation and use instructions for the SeaStar Solutions pressure relief valve models. A copy of this EO and pressure relief valve installation and use instructions shall be provided to original watercraft manufacturers purchasing SeaStar Solutions pressure relief valve models listed in Table 1 for installation on spark-ignition marine engines and watercraft introduced into commerce in California.

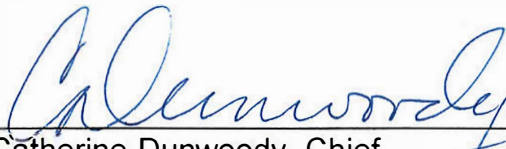
IT IS FURTHER ORDERED that the SeaStar Solutions pressure relief valve models listed in Table 1 and introduced into commerce in California shall be clearly identified by a permanent identification that includes BLUPMDRNAD5.

IT IS FURTHER ORDERED that any alteration to the SeaStar Solutions pressure relief valve models listed in Table 1 and certified hereby is prohibited. Any alteration or modification of the designs approved by this EO will require the manufacturer to apply for a new EO.

IT IS FURTHER ORDERED that the SeaStar Solutions pressure relief valve models as listed in Table 1 shall be compatible with fuels in common use in California at the time of certification, and any modifications to comply with future California fuel requirements shall be approved in writing by the Executive Officer or Executive Officer's delegate.

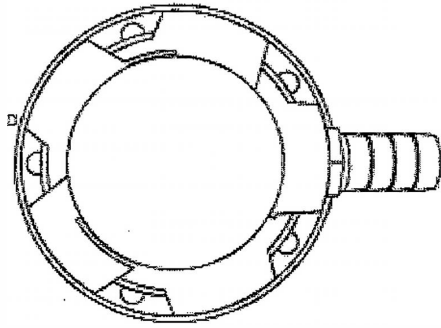
IT IS FURTHER ORDERED that the component certification of the SeaStar Solutions pressure relief valve models listed in Table 1 can be referenced in certification applications for spark-ignition marine engines and watercraft that use spark-ignition marine engines unless the Executive Officer finds that the SeaStar Solutions pressure relief valve models listed in Table 1 no longer meet the performance requirements set forth in Cal. Code Regs., tit. 13, § 2855, when tested pursuant to Cal. Code Regs., tit. 13, § 2864.

Executed at Sacramento, California, this 1st day of August 2018.



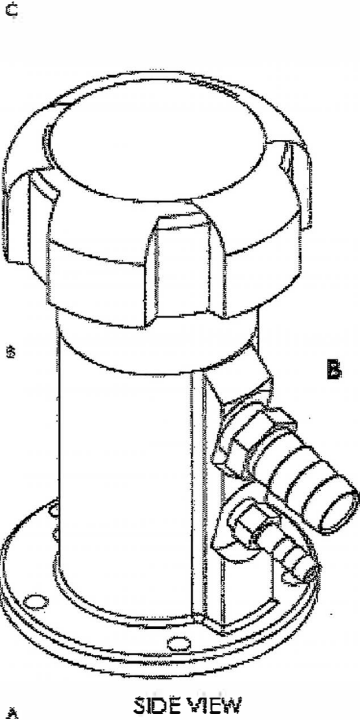
Catherine Dunwoody, Chief
Monitoring and Laboratory Division

Figure 1



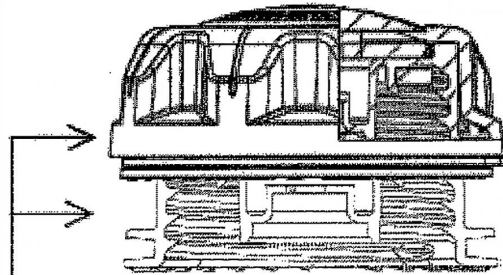
PLAN VIEW

BODY STYLE MAY VARY



SIDE VIEW

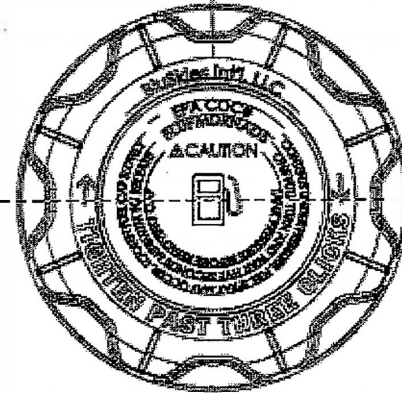
CAP/VALVE MOUNT SECTION



A-A

TWO PIECES SHOWN

BlusKies Int'l. LLC
EPA COC#
BLUPMDRNAD5



BLUPMDRNAD5

BluSkies

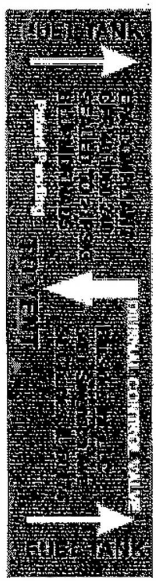
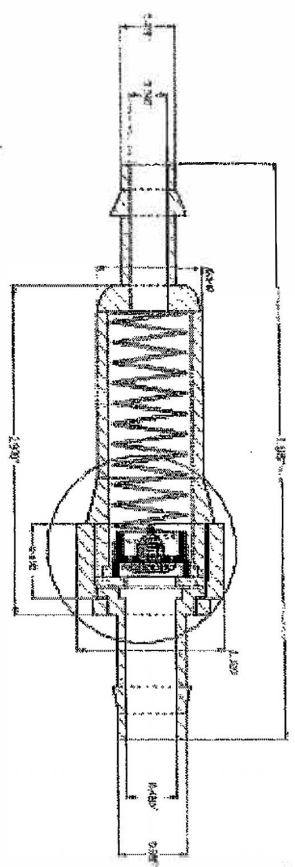
International LLC

Evaporative Emissions
Diurnal Control Systems
BLUPMDRNAD5

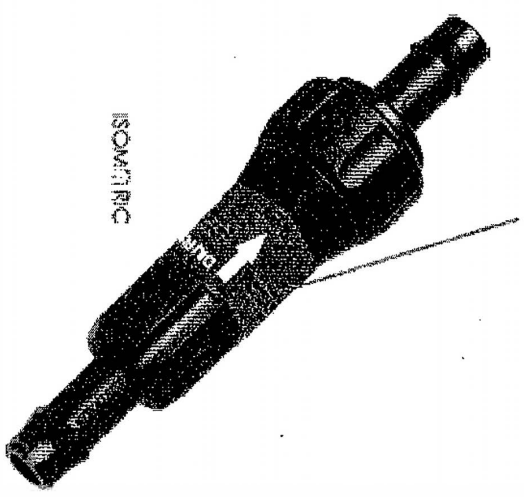
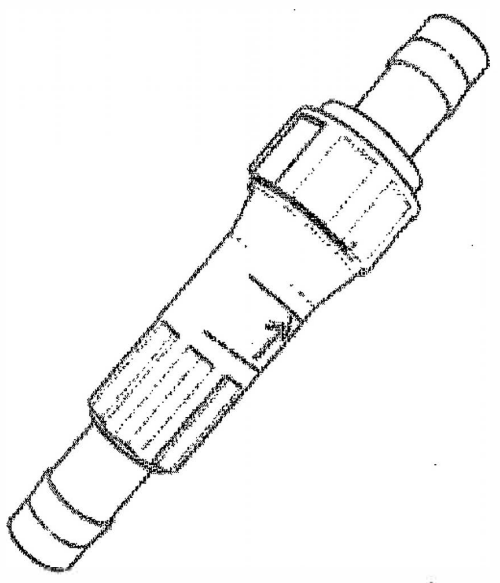
TITLE:	
DIRECT FILL SREW ON	
SIZE	DATE:
B	10/19/2016
SCALE: 1:1	DRAWN BY: VS SHEET 1 OF 1

DRAWING AND ANY ATTACHED DRAWINGS (AND THE DATA THEREON) IS CONFIDENTIAL AND PROPRIETARY AND SHALL NOT BE DISCLOSED TO OTHERS, REPRODUCED FOR ANY PURPOSE EXCEPT FOR QUOTATION TO OR ORDER BY BLUSKIES INTERNATIONAL AND FOR ITS SUBSIDIARIES WITHOUT THEIR WRITTEN CONSENT TO THE USE OF SUCH DRAWINGS AND/OR DATA.

Figure 2



BLUPMDRNAD5



A

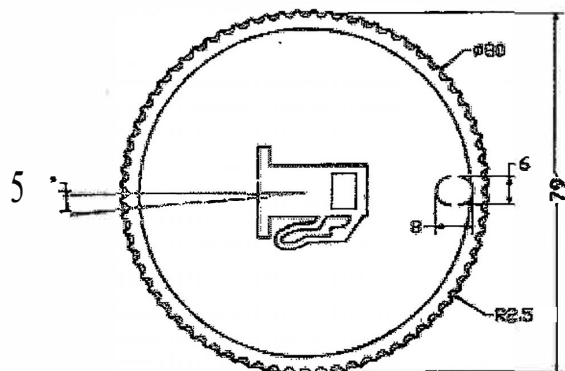
THIS DRAWING AND ANY ATTACHED DRAWINGS (AND THE DATA SHOWN THEREIN) IS/ARE OWNED BY AND FOR THE USE OF THE CLIENT. IT IS TO BE USED ONLY FOR THE PROJECT AND SHALL NOT BE REPRODUCED OR TRANSMITTED IN ANY FORM OR BY ANY MEANS, ELECTRONIC OR MECHANICAL, INCLUDING PHOTOCOPYING, RECORDING, OR BY ANY INFORMATION STORAGE AND RETRIEVAL SYSTEMS WITHOUT THE WRITTEN CONSENT OF THE USER OF SUCH DRAWINGS AND/OR DATA.

FlusKies
 International LLC
 Evaporative Emissions
 Diurnal Control Systems
BLUPMDRNAD5

Diurnal Control Valve

REV DATE
 B 10/19/2016
 SCALE: 1:1 DRAWN BY: CE SHEET 1 OF 1

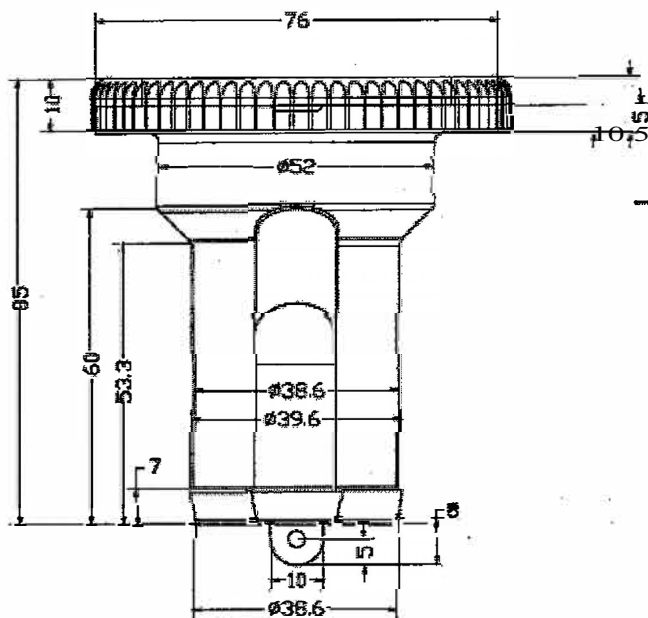
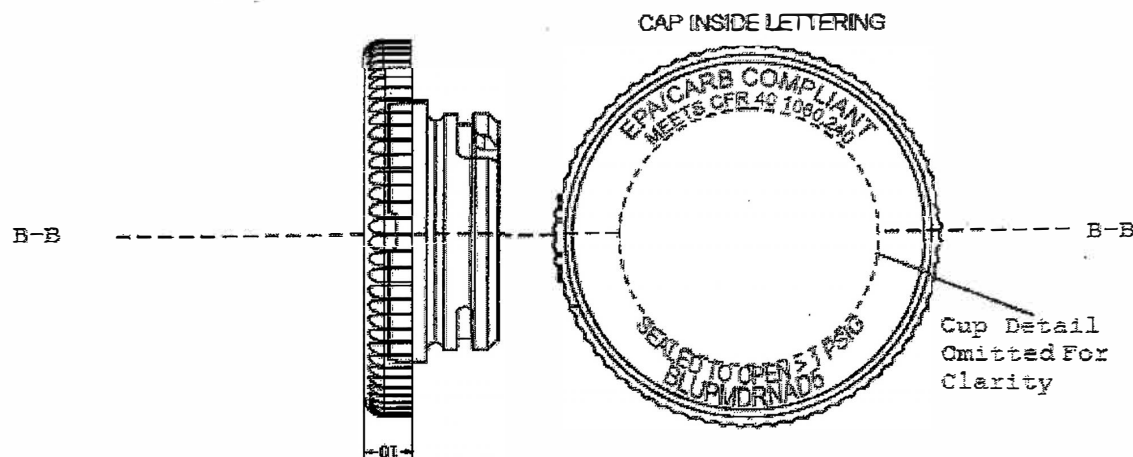
Figure 3



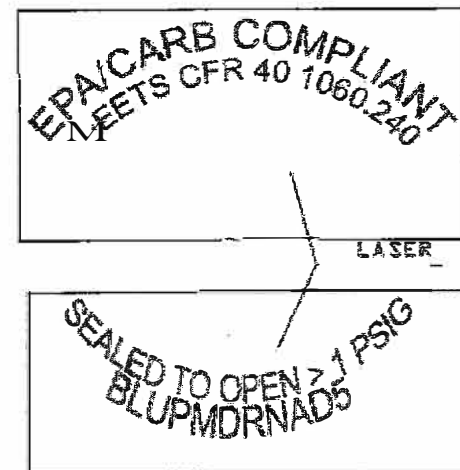
CAP TOP ELEVATION




Valve mount cup SECTION



DECK FILL BODY



 <p>International LLC Evaporative Emissions Diurnal Control System BLUPMDRND5</p>	<p>TITLE: 1/4 TURN STRAIGHT REMOTE FILL (NEW)</p>
	<p>DATE: 05/23/2018</p>
	<p>REV A DRAWN BY CB SHEET 1 OF 1</p>